

THINK and **LOOK** ahead

• STEP BY STEP •
TWENTY-FIRST SUNDAY OF THE YEAR, YEAR A

Who am I?

MATTHEW 16:13-20

Only Peter knew who Jesus really was!

Do you know too?

Find these words in the puzzle and circle them

THE
SON
OF
GOD

Matt 16:1

S	T	H	E
S	O	N	K
P	E	L	M
O	F	M	B
C	G	O	D

Next week the disciples are sad and worried about what will happen to Jesus.



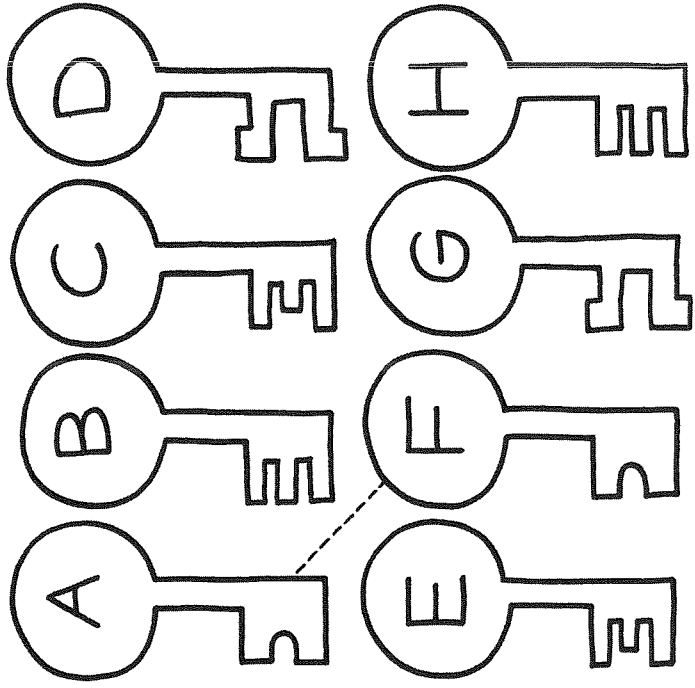
Give the disciples worried-looking faces



Jesus told Peter that he would have the "keys to the kingdom of heaven."

Which of these keys match?

Write the letters of the matching keys on the lines below



A Band Cand Dand

Peter, you are the rock on which I will build my Church.

